

Responding to Various Needs by Advanced Technology

KOSHIN

GEAR PUMPS

Kerosene, heavy oil class-A/B, lubrication oil

Best suited to force-feed fuel to marine engine and for engine lubrication.



GL-25-5



KOSHIN LTD.



Same accuracy as high performance hydraulic pump.
 Most suitable for marine FO, LO
 Low rotating noise guaranteed



GL-40



GL-50

Features

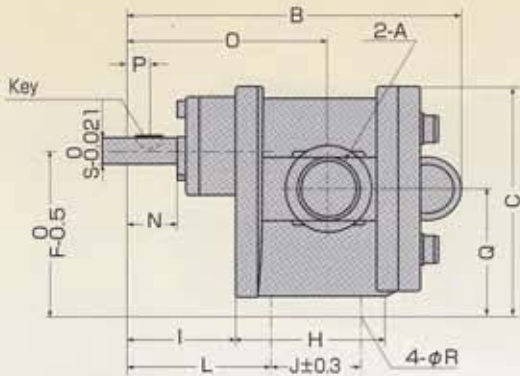
- This high quality pump is applicable for a wide range of activities from low viscosity oil such as kerosene, light oil, etc. to medium/high-viscosity oil.
- Since the pump has a bypass valve built-in and is equipped with relief function, It is very safe.

Specification

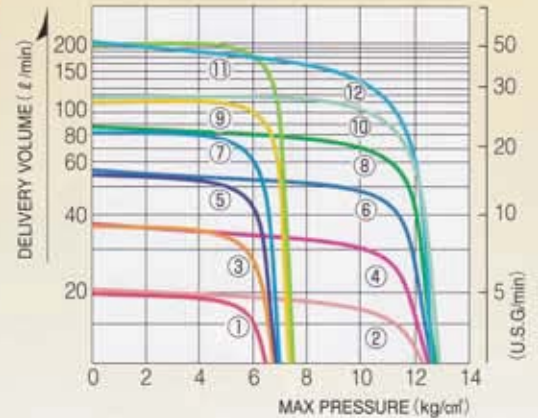
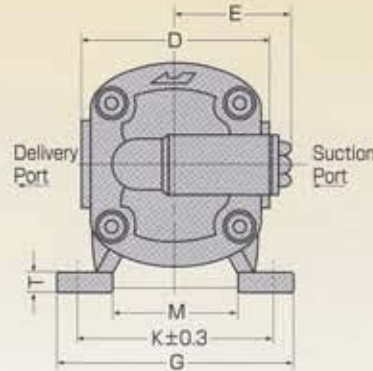
Pump	Curve No	Power	Connection Dia	Max Pressure	Delivery volume		Coupling	Pump Shaft Dia		
					60Hz (1720rpm)	50Hz (1450rpm)				
GL-13-5	①	0.4kw4p 200V 3phase	PS13m/m (1/2")	0.5MPa	20 ℓ /min	17 ℓ /min	ZDC	φ18m/m		
GL-13-10	②	0.75kw4p 200V 3phase		1MPa	5.3U.S.G/min	4.5U.S.G/min				
GL-20-5	③	0.75kw4p 200V 3phase	PS20m/m (3/4")	0.5MPa	35 ℓ /min	29 ℓ /min				
GL-20-10	④	1.5kw4p 200V 3phase		1MPa	9.2U.S.G/min	7.7U.S.G/min				
GL-25-5	⑤	1.5kw4p 200V 3phase	PS25m/m (1")	0.5MPa	55 ℓ /min	46 ℓ /min				
GL-25-10	⑥	2.2kw4p 200V 3phase		1MPa	14.5U.S.G/min	12.1U.S.G/min				
GL-32-5	⑦	3.7kw4p 200V 3phase	PS32m/m (1 1/4")	0.5MPa	85 ℓ /min	71 ℓ /min				
GL-32-10	⑧	2.2kw6p 200V 3phase		1MPa	22.4U.S.G/min	18.7U.S.G/min				
GL-40-5	⑨	2.2kw6p 200V 3phase	PS40m/m (1 1/2")	0.5MPa	123 ℓ /min	100 ℓ /min			JIS	φ22m/m
GL-40-10	⑩	5.5kw6p 200V 3phase		1MPa	32.5U.S.G/min (1180rpm)	26.4U.S.G/min (960rpm)				
GL-50-5	⑪	3.7kw6p 200V 3phase	PS50m/m (2")	0.5MPa	200 ℓ /min	165 ℓ /min				
GL-50-10	⑫	7.5kw6p 200V 3phase		1MPa	52.8U.S.G/min (1160rpm)	43.6U.S.G/min (940rpm)				

*For the purpose of improvement, specifications are subject to change without prior notice.

Dimension



Performance Curve



TYPE	A	B	C	D	E	F	G	H	I	J	K	L	M	N	O	P	Q	R	S	T	U
GL-13-□	PS1/2	189	131	108	64.5	95	138	73	71	40	116	87	58	30	113	15	75	11	18	12	4×19
GL-20-□	PS3/4	196	131	108	64.5	95	138	73	71	40	116	87	58	30	117	15	75	11	18	12	4×19
GL-25-□	PS1	208	131	108	64.5	95	138	73	71	40	116	87	58	30	122	15	75	11	18	12	3×19
GL-32-□	PS1 1/4	222	131	108	64.5	95	138	73	71	40	116	87	58	30	130	15	75	11	18	12	4×19
GL-40-□	PS1 1/2	265	189	148	89.5	136	184	112	86	70	156	111	100	40	158	19	106	11	22	16	5×22
GL-50-□	PS2	290	189	148	89.5	136	184	112	86	70	156	111	100	40	170	19	106	11	22	16	5×22