

ELASTOMER BELLOWS SEAL

Applications

Type 6 Seals are designed for use in small centrifugal water pumps, deep and shallow well jet pumps, swimming pool pumps, speed reducers, fuel oil, hydraulic and other positive displacement pumps.

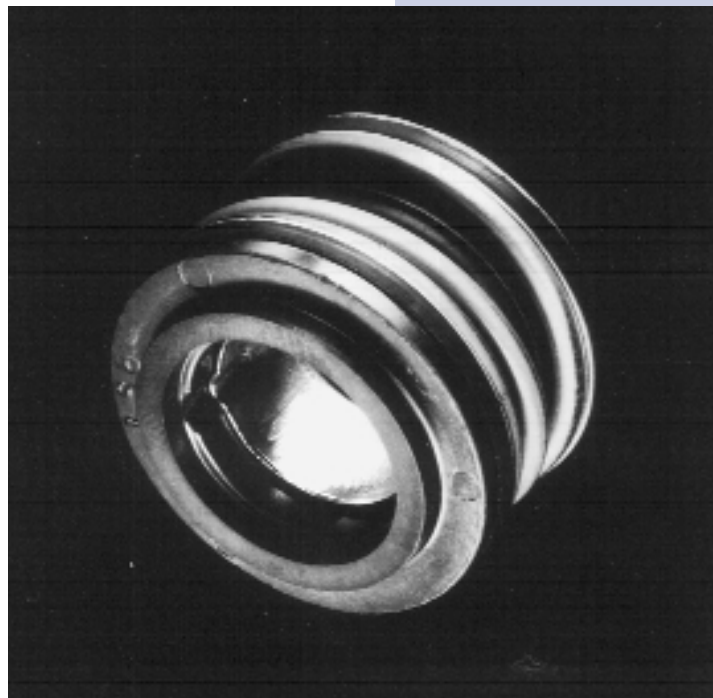
- For low pressure, small diameter rotary shaft applications in hydraulic fluids, aqueous solutions, and light oils.
- One piece seal is factory-assembled permitting fast, easy production line installation and replacement.

Operating Conditions

- **Temperatures:** -45°C to 205°C/
-49°F to 400°F
- **Pressures:** Up to 5 bar g/
75 psig
- **Speeds:** Up to 5 m/s/
1000 fpm

9

INCH RANGE



Typical Arrangement/Dimensional Data

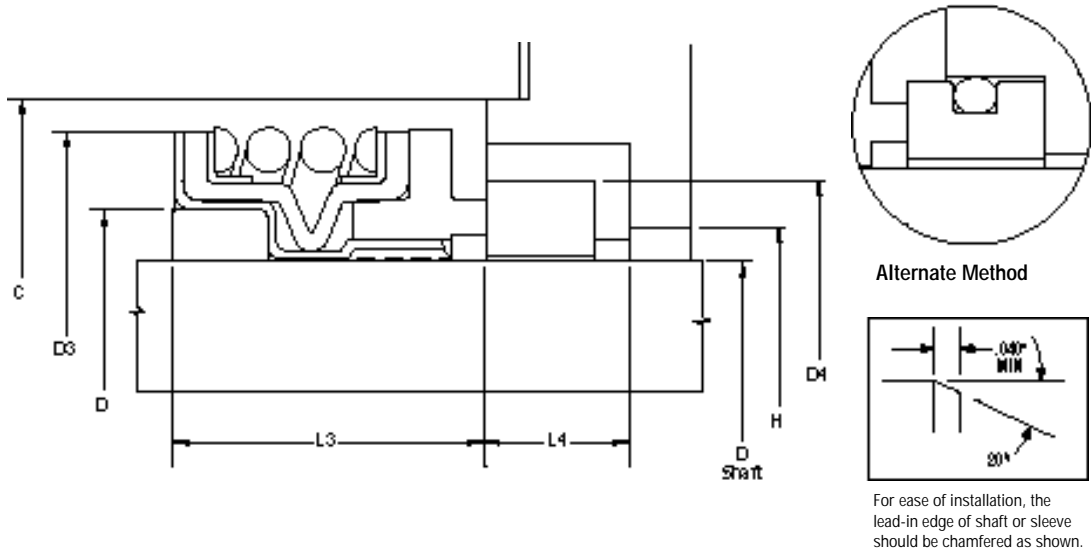


Chart 1. Type 6 Dimensional Data (Inches)

Seal Size (inches)	D	D3	D4	L3	L4	Seal Size (inches)	D	D3	D4	L3	L4
.312	.312	1.062	-	.656	-	.625	.625	1.218	1.250	.718	.406
.375	.375	1.062	1.000	.656	.312	.687	.687	1.343	1.375	.718	.406
.437	.437	1.062	1.000	.656	.312	.750	.750	1.343	1.375	.718	.406
.500	.500	1.062	1.000	.656	.312	.875	.875	1.687	-	.812	-
.562	.562	1.218	1.250	.718	.406	1.000	1.000	1.687	1.625	.812	.437

Chart 2. Horsepower Consumption

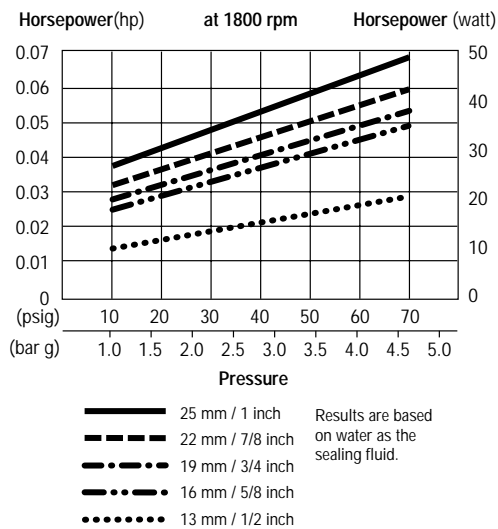
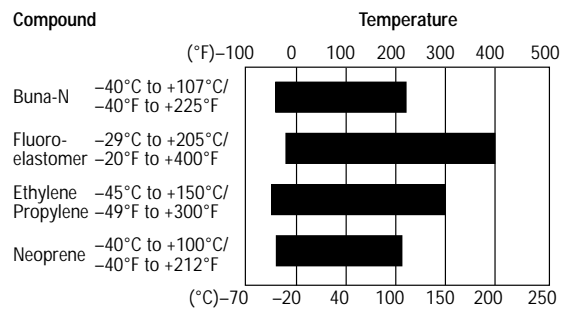


Chart 3. Elastomer Temperature Limits



Design Features

Elastomer Drive Ring

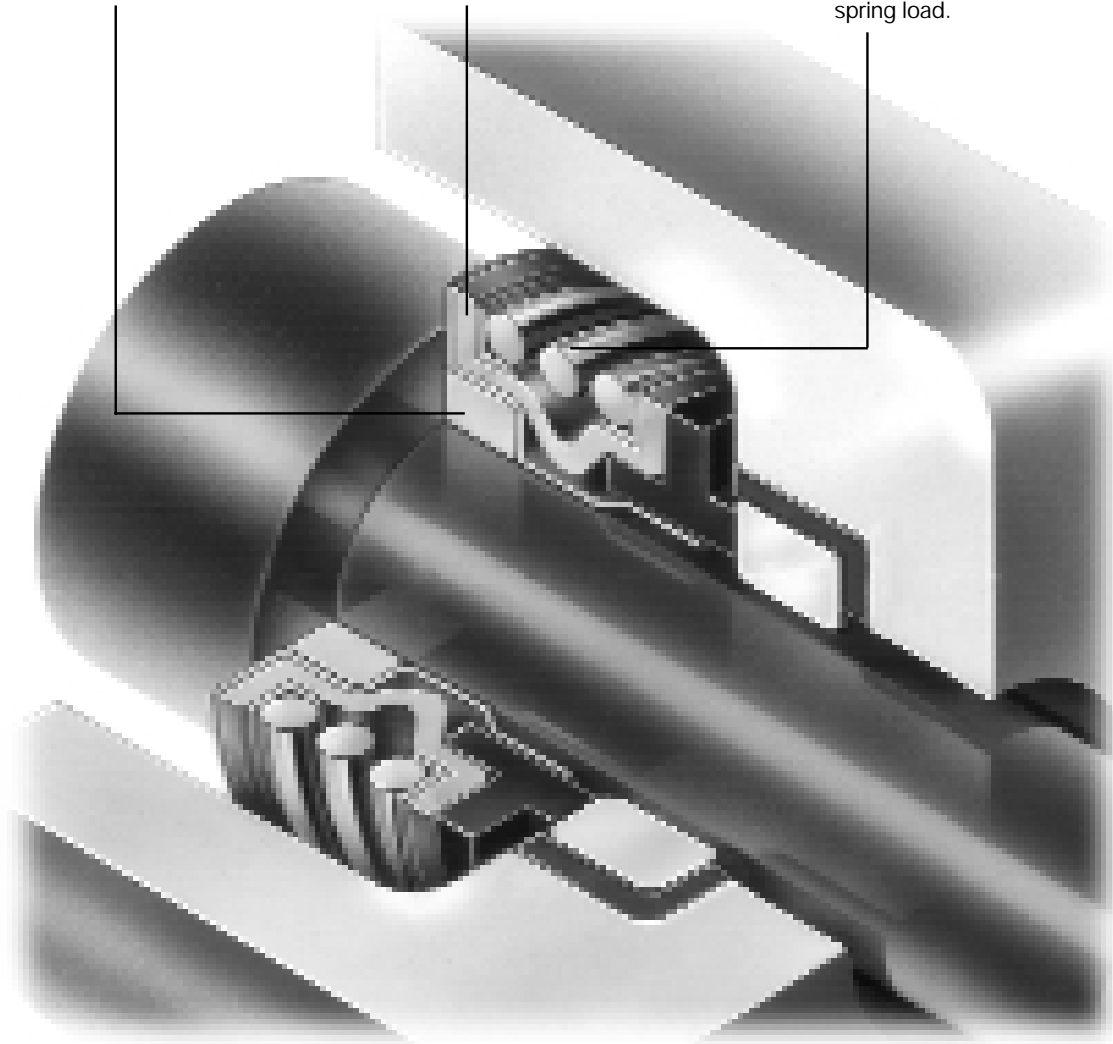
Seal is pre loaded on shaft with elastomer drive ring that grips shaft and makes tight contact with shoulder of driving sleeve.

Flexible Bellows

Full convolution elastomer bellows provides maximum flexibility in compensating for shaft movement and wear.

Spring

Precision lapped faces are kept in automatic contact by spring pressure. Metal ferrules assure even distribution of spring load.



**ELASTOMER BELLOWS SEAL****Chart 4. Materials of Construction**

Seal Component Materials		Secondary Sealing Element Bellows/Drive Ring	Primary Ring	Hardware Retainer, Disc, Snap Ring, Set Screw	Mating Ring	Material Loading Device Springs
Materials	Standard	Buna-N	Cranecarb	18-8 Stainless Steel	Ceramic	18-8 Stainless Steel
		Neoprene	Carbon		Silicon Carbide	
		Fluoroelastomer	Silicon Carbide	Brass		Brass
		Ethylene Propylene				

Chart 5. Criteria for Installation

Shaft/Sleeve	Limits
Surface Finish	32 to 63 Ra
Out of Roundness (Shaft)/ Ovality	.051 mm/.002"
Axial Float Allowance/ End Play	.13 mm/± .005"

**John Crane Mechanical Seals**
*Engineered Sealing Systems***North America**
Morton Grove, Illinois USATel: 1-847-967-2400
Fax: 1-847-967-3915
1-800-SEALING**Latin America**
Mexico City, MexicoTel: 52-5-567-4511
Fax: 52-5-587-2342**Europe, Middle East, Africa**
Slough, UKTel: 44-1753-224000
Fax: 44-1753-224224**Asia Pacific**
SingaporeTel: 65-222-9161
Fax: 65-223-5035

If the products featured will be used in a potentially dangerous and/or hazardous process, your John Crane representative should be consulted prior to their selection and use. In the interest of continuous development, John Crane Companies reserve the right to alter designs and specifications without prior notice.